

## LFV, VFV, SFV TEMPERATURE TRANSMITTERS

### PRODUCT DATA

#### GENERAL

The LFV, VFV, and SFV temperature transmitters are typically used in HVAC systems to measure duct or water temperature where high accuracy is needed.

These temperature transmitters are suitable for use in all systems capable of accepting 0...10 VDC inputs.

#### MODELS

OS no.	type	sensor range	IP rating	probe length, in mm (in.)
LFV-050-1B65	duct	0...50 °C	65	150 (5.91)
LFV-050-3B65	duct	0...50 °C	65	300 (11.81)
LFV-100-1B65	duct	0...100 °C	65	150 (5.91)
LFV-100-3B65	duct	0...100 °C	65	300 (11.81)
VFV-050-1B65	immersion	0...50 °C	65	150 (5.91)
VFV-100-1B65	immersion	0...100 °C	65	150 (5.91)
SFV-050-1B65	strap-on	0...50 °C	65	n/a
SFV-100-1B65	strap-on	0...100 °C	65	n/a
LF-MF	bulk pack of 10 mounting flanges for LFV duct temperature transmitters; also suitable for use with VFV immersion temperature transmitters in duct applications.			

**NOTE:** The LFV duct temperature transmitter is delivered with an LF-MF flange as a standard accessory; no need to purchase separately.

**NOTE:** Use VFV immersion temperature transmitters with WB and WS immersion wells – see section "Immersion Wells (not included)" on pg. 2.

#### FEATURES

- 0...10 VDC temperature transmitters
- Same look and feel as standard sensors
- Various sensing ranges
- High accuracy

#### SPECIFICATION

<b>Accuracy</b>	±0.3 C (±0.54 °F) at 20 °C (68 °F)
<b>Response time <math>\tau_{63}</math></b>	
Duct temp. transmitter	< 1 min at 3 m/s (590 ft/min) air velocity
Immersion temp. transmitter	< 30 s in liquid water bath
<b>Sensor sleeve material</b>	stainless steel (1.4571 / 316Ti)
<b>Electrical specifications</b>	
Output	0...10 V, -1 mA < $I_L$ < 1 mA
Current demand DC	typ. 5 mA
Sensing element	Pt1000 (class A, DIN EN 60751)
<b>Wiring box</b>	
Storage temperature	-30...+70 °C (-22...+158 °F)
Humidity	5...95% rh, non-condensing
Material	Polycarbonate
<b>Operating temperature</b>	
Duct transmitter (probe)	-40...+110 °C (-40...+230 °F)
Immersion transmitter (probe)	-40...+150 °C (-40...+302 °F)
Electronics	-40...+ 70 °C (-40...+158 °F)
<b>Safety</b>	IP65 as per EN 60529
<b>Dimensions</b>	See below.

#### WIRING

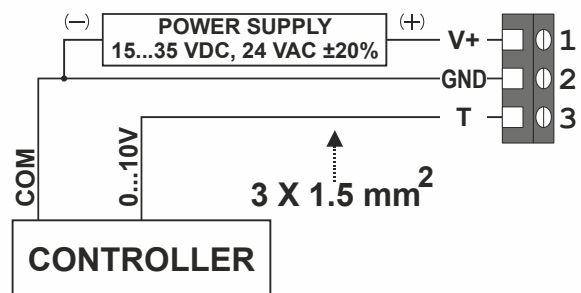


Fig. 1. Wiring transmitters

## DIMENSIONS

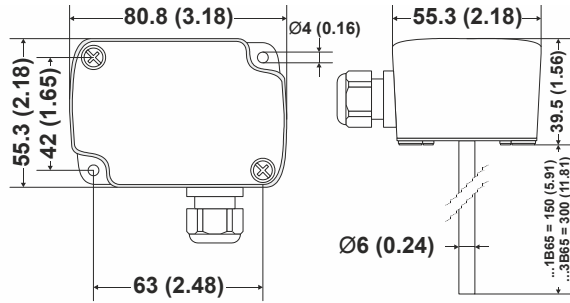


Fig. 2. LFB duct temp. transmitter, dimensions in mm (in)

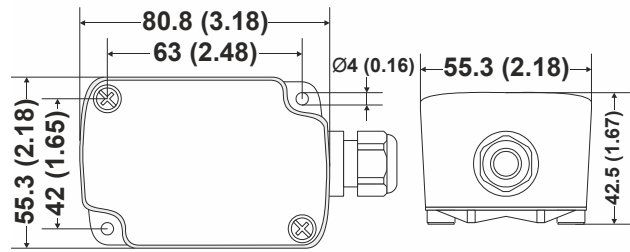


Fig. 4. SFV strap-on temp. transmitter, dimensions in mm (in)

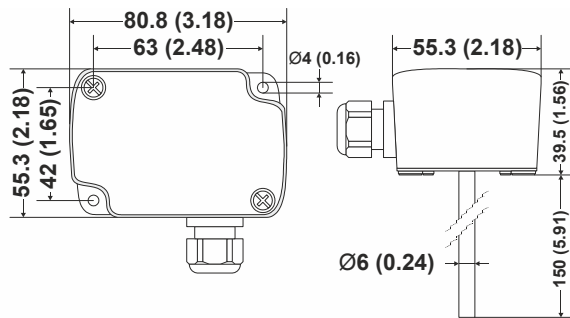


Fig. 3. VFV immersion temp. transmitter, dimensions in mm (in)

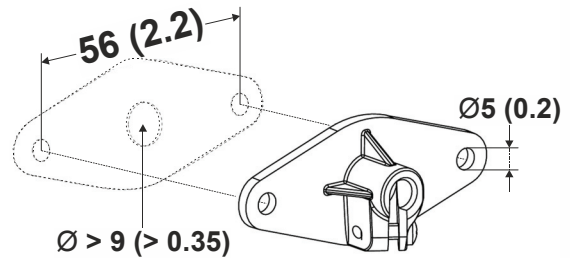


Fig. 5. LF-MF mounting flange, dimensions in mm (in)

## IMMERSION WELLS (NOT INCLUDED)

For use with VFV immersion temperature transmitters.

OS no.	material	length mm (inch) L <sub>WELL</sub>	connection	P <sub>max</sub>	max. flow rate
WS50	stainless steel	50 (1.97)	R1/2" / ISO, PN25	25 bar	30 m/s
WB50	brass	50 (1.97)		15 bar	26 m/s
WS150	stainless steel	135 (5.31)		25 bar	7.5 m/s
WB150	brass	135 (5.31)		15 bar	5 m/s
WS300	stainless steel	285 (11.22)		25 bar	2 m/s
WB300	brass	285 (11.22)		15 bar	1.2 m/s

See also VF00, VF10, VF20 Immersion Temperature Sensors – Product Data (Product Literature No.: EN0B-0724GE51) for well dimensions.

### Automation and Control Solutions

Honeywell GmbH  
 Böblinger Strasse 17  
 71101 Schönaich, Germany  
 Phone +49 (0) 7031 637 01  
 Fax +49 (0) 7031 637 740  
<http://ecc.emea.honeywell.com>