

RF20 SPACE TEMPERATURE SENSOR

PRODUCT DATA



Fig. 1. RF20 Space Temperature Sensor

GENERAL

The RF20 Space Temperature Sensor is suitable for use in individual room temperature control as well as for regulation with an optimized increase/decrease temperature phase.

FEATURES

- Mountable on 60 mm wall outlet box or directly on a wall.
- Locking cover.
- Operating range 10...40 °C.
- CE-approved.
- IP 30 housing.
- Easy electrical installation.
- High-impedance NTC sensing element (no adjustment for differing cable lengths necessary).

SPECIFICATIONS

Sensor element	NTC thermistor
Resistance (at 25 °C)	20 kΩ
Dimensions	104 x 99 x 30 mm (see also Fig. 2)
Weight	Approx. 90 g
Housing	Plastic
Color	White (RAL 9016)
Mounting	Wall mounting
Operating temperature / humidity	10 ... 40 °C / 5 ... 95% RH
Storage temperature / humidity	-35 ... +70 °C / 5 ... 95% RH
Electrical connection	Electrical terminals, 2 x 1.5 mm ² cable
Protection class	IP30

For technical information on the NTC thermistor sensing element, see also Temperature Sensors / Temperature-Resistance Curves – Product Data (EN0B-0476GE51).

DIMENSIONS

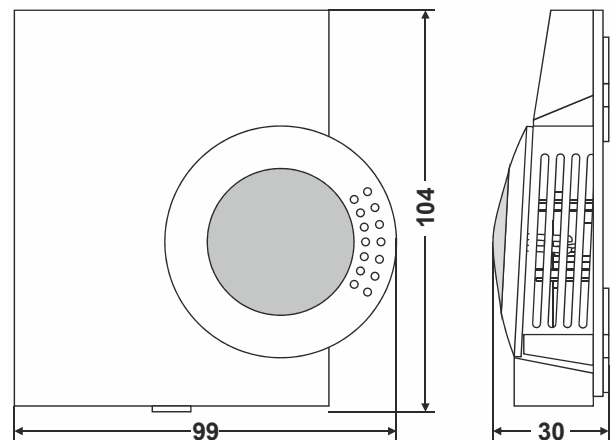


Fig. 2. Dimensions (in mm)

POSITIONING

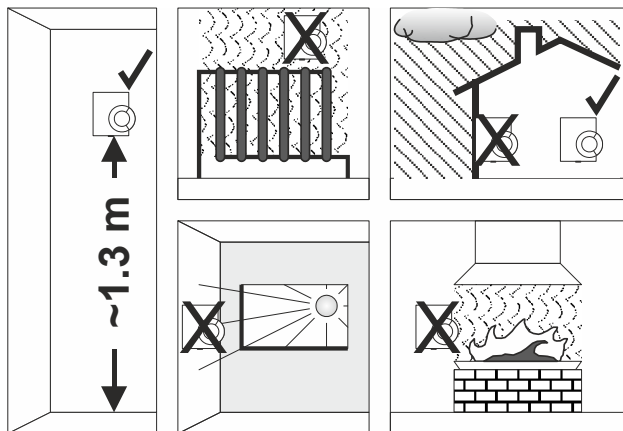


Fig. 3. Location of mounting

ELECTRICAL CONNECTION

The temperature sensor must be wired in accordance with the overall wiring circuit diagram. The terminals are polarity-insensitive; there is thus no error if the terminals are connected in reverse.

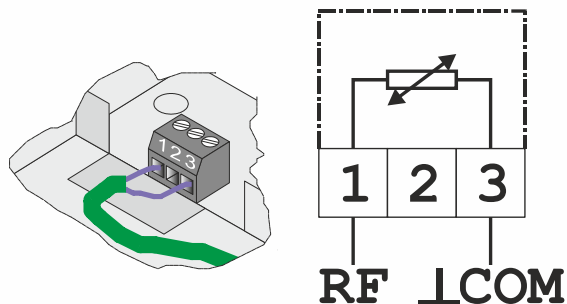


Fig. 5. Wiring

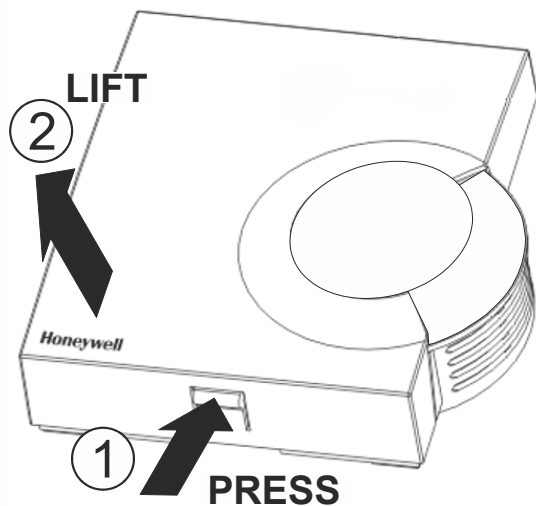


Fig. 4. Opening cover to access terminals

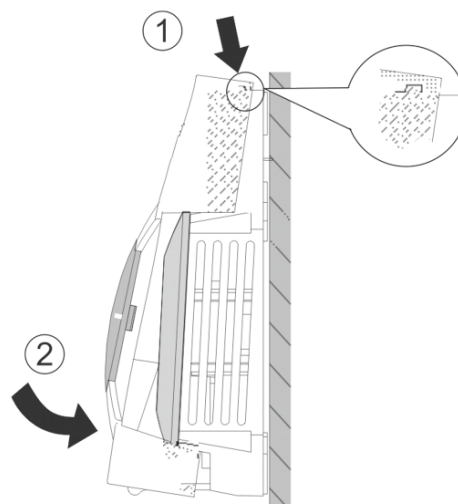


Fig. 6. Closing cover

For more information on mounting, see also RF20 Space Temperature Sensor – Mounting Instructions (MU1B-0681GE51).

Honeywell

Manufactured for and on behalf of the Connected Building Division of Honeywell Products and Solutions SARL, Z.A. La Pièce, 16, 1180 Rolle, Switzerland by its Authorized Representative:

Home and Building Technologies

Honeywell GmbH
 Böblinger Strasse 17
 71101 Schönaich, Germany
 Phone +49 (0) 7031 637 01
 Fax +49 (0) 7031 637 740
<http://ecc.emea.honeywell.com>

EN0B-0785GE51 R1119

Subject to change without notice